

# ADJUSTABLE DEAD BAND PRESSURE SWITCH



TM

## DIAPHRAGM TYPE

### SPECIAL FEATURES

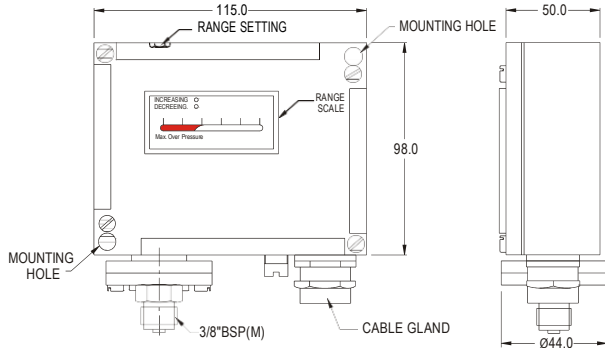
- FIXED DEAD BAND (OPTIONAL)
- WEATHERPROOF TO IP66
- SLEEK & RELIABLE
- FIELD ADJUSTABLE
- HIGH REPEATABILITY

### APPLICATIONS

- RAILWAYS
- COMPRESSORS & BOILERS
- WATER TREATMENT
- FIRE FIGHTING SYSTEMS
- LUBRICATION INDUSTRIES

IPS-PS-07

### DIMENSIONAL DETAILS



Notes : • Drawings are not to scale.  
• All Dimensions are in mm.



### TECHNICAL SPECIFICATIONS - STANDARD VERSION

Repeatability	:	± 1% F. S.
Scale Accuracy	:	± 5% F. S.
Range	:	Refer "How to order"
Mounting	:	Bottom / Panel
Process Connection	:	3/8" BSP (M)
Enclosure Protection	:	W/P to IP 66
Enclosure Material	:	Pressure Die Cast Aluminum
Maximum Process Temperature	:	150 °C
Ambient Temperature	:	-10 to 60 °C
Switch	:	1 SPDT (Adjustable)
Switch Rating	:	15 A, 250 VAC & 0.4 A, 110 VDC
Sensing Element	:	Diaphragm, AISI 316L SS
Other Wetted Parts	:	AISI 304 SS
Process Medium	:	Air, Oil & Water
Electrical Connection	:	PG 13.5 mm Cable Gland

### HOW TO ORDER

#### BASIC MODEL

#### RANGE

Ordering Code	Model NO	Range (bar)	Differential (bar)
VA	IPS-PS-07-VA	-1 TO 0	0.1 to 0.50
WC	IPS-PS-07-WC	0 TO 300 cm WC	10 to 50 cm WC
1	IPS-PS-07-1	0.1 to 1.1	0.08 to 0.20
3	IPS-PS-07-3	0.4 to 4	0.08 to 0.30
6	IPS-PS-07-6	0.6 to 6	0.25 to 1.5
10	IPS-PS-07-10	1 to 10	0.3 to 1.3
16	IPS-PS-07-16	1 to 16	1 to 5
30	IPS-PS-07-30	2 to 32	1 to 5
40	IPS-PS-07-40	4 to 40	2 to 6

#### CALIBRATION

I INCREASING      D DECREASING (Not Applicable for Adj. Differential)

#### OPTIONS

PW	CALIBRATION CERTIFICATE	SX	SS TAG PLATE
1F	1 SPDT SWITCH WITH FIXED DEAD BAND	WM	WALL MOUNTING BRACKET
2F	2 SPDT SWITCH WITH FIXED DEAD BAND	PM	2" PIPE MOUNTING
4NM	½" NPT (M) ADAPTOR	DC	DOUBLE COMPRESSION CABLE GLAND
4NF	½" NPT (F) ADAPTOR	SG	OXYGEN SERVICE
S6	WETTED PARTS AISI 316 SS		

IPS-PS-07

X  
OR  
XX

X

XX  
OR  
XXX



## Industrix Precise Solutions Private Limited

Room No - 303, Bhumika Residency, Plot No-21, Sector-20, Roadpali, Kalamboji, Panvel (Tal.), Raigad (Dist.), Maharashtra, India - 410218.

Mobile: +91 99309 98399 / +91 99674 97447

E-mail: [admin@ipspl.in](mailto:admin@ipspl.in) / [sales@ipspl.in](mailto:sales@ipspl.in) Website: [www.ipspl.in](http://www.ipspl.in)

CIN : U52399MH2021PTC368555